

FPM-3175

Industrial Flat Panel Monitor with 17" LCD in VGA/Video



Features

- 17" SXGA TFT LCD with resolution up to 1280 X 1024
- Stainless steel chassis with NEMA4/IP65-compliant aluminum front panel
- Multi-scan function supports SXGA, XGA, SVGA, VGA, VGA-Text
- High luminance up to 250 cd/m²
- Auto-recognition of input signal
- Support Rack Mount and VESA ARM
- Multi-signal input supports RGB and Video

Introduction

The FPM-3175 is a 17-inch color TFT LCD flat panel monitor specifically designed for industrial applications. With a viewing size as large as 17", it presents an ample display area as well as vivid and sharp images for your HMI. The FPM-3175 features Direct-VGA signal transmission, which allows a regular VGA control card to be used on your system. Users can thus upgrade the display without making changes to the existing system. Its On Screen Display function also allows users to adjust the images on screen with ease. The whole chassis is stainless steel and the front panel is made of aluminum with NEMA4/IP65 compliance.

Specification

- **Front panel:** Aluminum, NEMA4/IP65 compliant
- **Mounting:** Panel or wallmount or rackmount
- **Dimensions (W x H x D):** 482 x 354 x 68 mm (19" x 13.9" x 2.7")
- **Gross Weight:** 13.5 Kg (29.8 lbs)
- **I/O port:** VGA, Video, S-Video, DC power input, power switch, and RS-232 port (Touchscreen version only)
- **Control:** OSD (OnScreen Display) Control Pads on the front side
- **Power Adaptor:** External Power Adapter AC 110 V, +12 V @ 5 A output
- **Operating temperature:** 0° ~ 50° C
- **Storage temp:** -20° ~ 60° C
- **Storage humidity:** 5% ~ 95% non-condensing
- **Vibration (operating):** 5 ~ 17 Hz, double-amplitude displacement 17 ~ 500 Hz, 1.0 G peak to peak
- CE, FCC, BSMI, CCIB compliant

Touchscreen (optional)

- **Type:** 8 wire, analog resistive
- **Resolution:** continuous
- **Light transmission:** 72%
- **Operating pressure:** 30 ~ 45 gram for stylus pen, contact bounce < 10 ms (meets ASTM-D-3363-92A Standard, Taber abrasion test)
- **Controller:** RS-232 interface
- **Power Consumption:** +5 V @ 200 mA
- **OS support:** MS-DOS, Windows 3.1, Windows 95, Windows 98, Windows NT
- **Lifespan:** 100 million touches

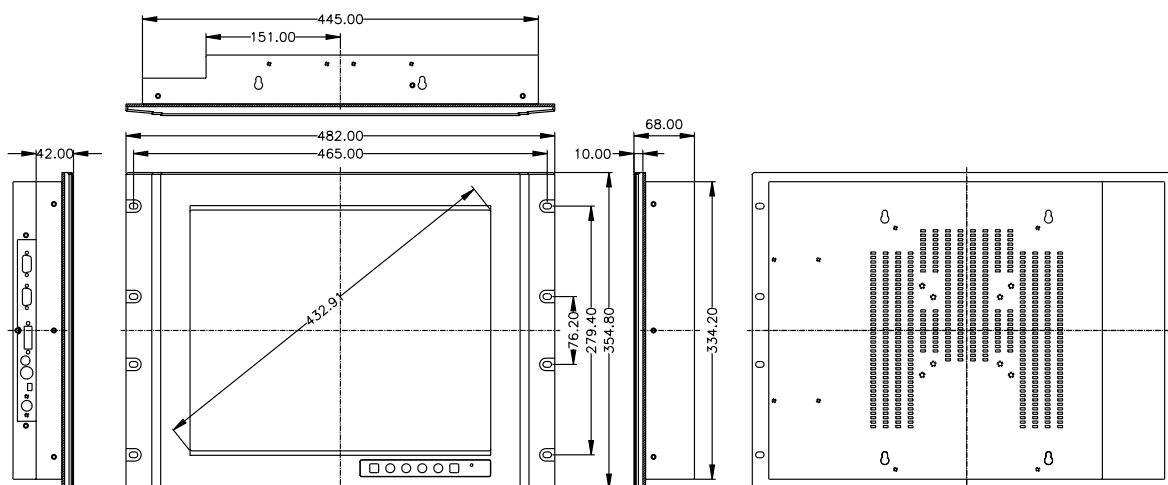
LCD Specification

LCD Specification	
Display type	SXGA TFT LCD
Display size	17"
Max colors	full color (16 million)
Max resolution	1280 X 1024
Dot pitch	0.264 X 0.264 mm
View Angle	120° (H), 100° (V)
Luminance	250 cd/m ² 4 CCFL
Storage Temperature	-20° ~ 60° C
Operating Temperature	0° ~ 50° C
Backlight lifetime	50,000 hrs
Contrast Ratio	300: 1 (typ)

Dimensions

Unit: mm

FPM-3175TV



Cut out dimension: 451 x 340 mm (17.8" x 13.4")

Side View



Ordering Information

- FPM-3175TVR**
Industrial 17" TFT LCD monitor with 19" Rack-Mount Bezel
- FPM-3175TVR-T**
FPM-3175TVR with Analog Resistive Touch-screen

Accessories

- 1700155001** 50 M VGA cable for FPM-series
- 1700153000** 30 M VGA cable for FPM-series
- 1700152000** 20 M VGA cable for FPM-series
- 1700151000** 10 M VGA cable for FPM-series
- 1700155000** 5 M VGA cable for FPM-series
- 9689000355** RS-232/485 converter for T/S (USA)
- 9689000356** RS-232/485 converter for T/S (UK)
- 9689000357** RS-232/485 converter for T/S (FR)
- 1700090000** 10 M cable for T/S
- 1700090001** 4.5 M cable for T/S
- 1700090002** 3 M cable for T/S