

RM 200 Modular I/O system

Plug-in I/O modules

Suitable for
CANopen/PROFIBUS-DP/MODBUS/Ethernet

Modules for numerous sensors and signals

2, 4 or 8 channels, depending on module version

Flexible plant design

Simple commissioning

PROFI
PROCESS FIELD BUS
IBUS
CANopen
MODBUS
Ethernet

PROFILE

The input/output modules with communication ports for CANopen or PROFIBUS-DP provide a high degree of flexibility when designing new plants. The compact, plug-in modules can be combined into cost-effective, de-centralized I/O islands. Due to the modular concept, type and number of the I/Os can be matched optimally to the requirements. Subsequent system extensions present no problems.

FEATURES

- ✓ **Broad range of available sensor and signal modules**
- ✓ **Standard fieldbus interfaces supported**
- ✓ **Cost-effective module size**
- ✓ **Well defined galvanic isolation concept**
- ✓ **Modules with configurable multi-functions**
- ✓ **Easy module exchange by plug-in cable terminals**
- ✓ **Configuration without special tools**
- ✓ **High signal resolution**
- ✓ **High accuracy**
- ✓ **Small housing size**
- ✓ **Flexible and easy to extend**
- ✓ **Optimized connection to KS98+**

APPLICATION

- Data acquisition
- Remote I/O
- I/O extension

DESCRIPTION

CONSTRUCTION

RM 200 consists of a basic module (housing) for „top hat“ rail mounting, with 3, 5 or 10 sockets.

The left-hand socket is always reserved for the bus coupler module (CANopen / PROFIBUS-DP / MODBUS / Ethernet). The remaining sockets can be used for the required number of I/O modules (insertion with system power „off“) or dummy panels. The modules clip into the connectors of the basic module, and can be removed easily with simple tools.

Power supply

The system supply of 24 VDC is connected to the bus coupler module, that also provides galvanic isolation. The I/O modules and the internal communication circuits are supplied with 24 VDC via the motherboard.

Internal communication

An internal bus connects the I/O modules with the bus coupler module, where the statuses/values of the connected I/Os are continuously updated and stored. The stored data also contains information about the type and diagnostic results of the relevant I/O module. The scanning cycle depends on the type and number of inserted modules and the bus load.

Galvanic isolation

In the bus coupler module, the bus system (CAN / PROFIBUS / RS485 / RS232 / Ethernet), the internal communication circuits are galvanically isolated from each other and from the 24 VDC system supply.

Furthermore, the I/O modules provide galvanic isolation for the internal system bus and for the I/O circuits. Analog inputs/outputs of the individual modules are galvanically connected, but are isolated from all the other modules. Exception for the RM 224-0, RM 224-2 and RM 225: their inputs are isolated from each other.

The eight digital outputs of the RM 251 are combined into two groups with four outputs each. The groups are galvanically isolated from each other and from the remaining electronics. The eight digital inputs of the RM 242 are grouped together to two inputs each which are galvanically isolated from each other.

Sensor energization

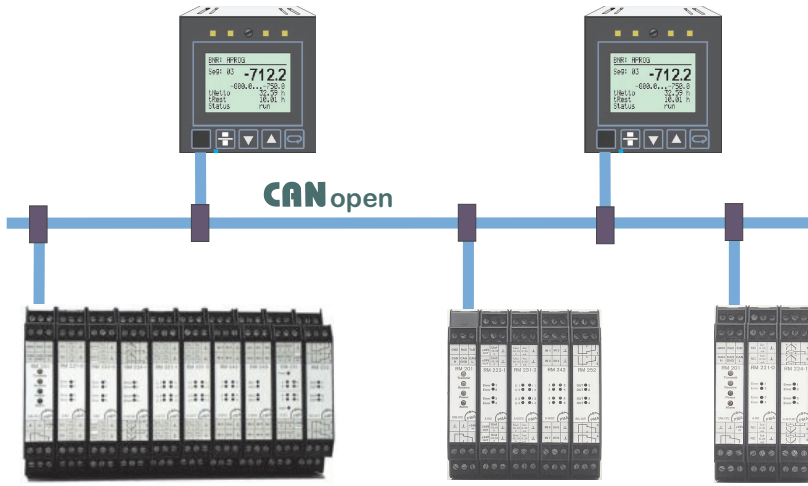
Transmitter supply

Analog input modules (RM 222-x) provide 24 VDC for energizing external two-wire transmitters. Module versions with standardized voltage input signals also provide a stable 5 VDC reference for connecting to potentiometers used as voltage dividers.

Digital inputs

The RM 241 provides 24 VDC for operating proximity switches as well as NPN or PNP transistors.

Fig.1 : RM 200 in an application with KS 98+



Input circuit monitoring

Analog input signals are monitored for short circuit, open circuit, or polarity depending on module type. If triggered, the monitor's output has two selectable alternative states:

the highest permissible value or the smallest possible value.

Electrical connections

The signal leads are connected to staggered terminal levels at top and bottom of the module. The screw terminal blocks are plug-in units, and a connecting diagram is printed on the module front.

Configuration

Available as an accessory, the Engineering Set ES/RM 200 contains a complete description plus the EDS and GSD files required for linking the equipment to a CANbus or PROFIBUS network (maximum version with Standard Mapping of the variables). The set also contains example programs for SIMATIC STEP7 (Siemens) environment.

Standard field-bus configurators such as ProCANopen (Vector) or SIMATIC STEP7 (Siemens) are supported.

Connection to KS98+

If the RM 200 is used as an I/O extension for the multi-function unit KS 98+ via CANbus, parameter adjustment and configuration are done by means of additional functions in the Engineering Tool ET/KS 98plus. In this case, a CAN configurator is not needed!

TECHNICAL DATA

SYSTEM

Basic module

Internal scanning cycle of the I/O modules:

$t_s = 10...400\text{ms}$ (depending on the type and number of connected inserted I/O modules and the bus load).

Number of module sockets:

1 bus coupler module plus...

RM 211	RM 212	RM 213
2 sockets for I/O modules	4 sockets for I/O modules	9 sockets for I/O modules

Restrictions:

It can be inserted per basic module:

- max. 16 analog inputs (e.g. 4x RM 221-x or RM 224-1 or 8x RM 224-0 or 4x RM 225)
A strain gage input (RM 225) occupies two analog inputs !

- max. 16 analog outputs (e.g. 4x RM 231-x)

There are no restrictions for digital I/O modules.

Dummy panel RM 214

Slot covers for keeping protection degree IP20.

BUS COUPLER MODULES

Bus coupler module RM 201

Full CAN controller according to CAN specification V2.0A; physical coupling according to ISO 11898.

Cycle time on the CANbus:

Depends on the selected transmission speed, and on the number and type of inserted I/O modules (PDOs).

Transmission speed:

10 / 20 / 50 / 100 / 125 / 500 / 800 / 1000 kBit/s; adjustable with DIP switches or via automatic selection.

Bus cable length

depending on baudrate (10kBd...1MBd): $\leq 1000/1000/1000/500/250/100/50/25\text{ m}$

Address configuration:

addresses 1...127, adjustable with DIP switches; ≤ 42 using the default mapping

Terminating resistor:

fitted, can be activated with a jumper.

CAN protocol:

CANopen Slave, supports DS301 V3.0 (communication profile) and DSP404-12 (measuring devices and closed loop controllers)

Process data objects (PDOs):

Receive: ≤ 5

Transmit: ≤ 10 , of which max. 5 can be requested per RTR (Remote Transmit Request)

EDS file:

Maximum version; component part of the Engineering Set ES/RM 200; not necessary in conjunction with KS98+.

Alarm output:

Relay: 1 potential-free changeover contact
Function: configurable (node guarding)
– Max. working voltage for protective insulation: 150V

Contact rating:

AC: $\leq 5\text{A}$, 750 W;

DC: $\leq 5\text{A}$, 120V, 120 W

Galvanic isolation:

Supply voltage, CANbus and logic circuits are galvanically isolated from each other.

Indicator LEDs:

1 x green (power);

1 x red (alarm);

2 x yellow (Transmit, Receive)

supported modules:

RM 221-x, RM 222-x, RM 224-x,

RM 231-x, RM 24x, RM 25x

not supported: RM 225

Fig.2 : Basic module RM 213 with 10 sockets for I/O modules



Bus coupler RM 201-1

supported modules:
 RM 221-x, RM 222-x, RM 225,
 RM 231-x, RM 24x, RM 25x
 not supported: RM 224-x
 Further properties as RM 201.

Bus coupler module RM 202

PROFIBUS-DP to EN 50 170

Cycle time on the PROFIBUS:

Depends on the selected transmission speed and number of I/O modules.

Transmission speed

9600 bit/s up to 12 Mbit/s via automatic selection

Bus cable length:

≤1000 ... 100m, depending on baudrate

Address configuration:

address 1...126, adjustable with DIP switches.

Terminating resistor: external

GSD file:

component part of the Engineering Set ES/RM 200

Galvanic isolation:

Supply voltage, PROFIBUS and logic circuits are galvanically isolated from each other.

Indicator LEDs:

- 1 x green (power);
- 1 x yellow (data exchange)
- 1 x yellow (diagnosis)

Bus coupler module RM 203-x

Serial interface with MODBUS RTU protocol.

RM 203-0: RS 485 interface
 RM 203-1: RS 232 interface

Transmission speed:

600 / 1200 / 2400 / 4800 / 9600 / 19200 / 38400 Baud; adjustable with DIP switches.

Byte format:

Adjustable with DIP switches:

Data bits	Parity	Stop bits
8	nonr	1
8	none	2
8	even	1
8	odd	1

Bus cable length:

RS 232: ≤ 3 m
 RS 485: ≤ 1200 m

Fig.4 : Display Elements and Connections of RM 200 modules



Address configuration:

addresses 1...127, adjustable with DIP switches

Alarm output:

Relay: 1 potential-free changeover contact
 Function: configurable (node guarding)
 – Max. working voltage for protective insulation: 150V

Contact rating:
 AC: ≤ 5A, 750 W;
 DC: ≤ 5A, 120V, 120 W

Galvanic isolation:

Supply voltage, MODBUS and logic circuits are galvanically isolated from each other.

Indicator LEDs:

- 1 x green (power);
- 1 x red (alarm);
- 2 x yellow (Transmit, Receive)

Bus coupler module RM 204

Ethernet interface with TCP/IP - protocol.

Network connection:

Ethernet RJ45 10BaseT according to IEEE 802.3
 TCP/IP protocol
 MODBUS/TCP server via TCP port 502

Network connector:

RJ45 10BaseT (socket)

Bus cable length:

Ethernet segment length: 100m with Cat5 - wire

Address configuration:

Last byte of IP-address can be adjusted with rotary BCD switches

Galvanic isolation:

Supply voltage, network and logic circuits are galvanically isolated from each other.

Indicator LEDs:

- 1 x green (power);
- 1 x red (alarm);
- 4 x yellow (Connect, Data, Link, LAN)

ANALOG INPUT MODULES

General

Measurement cycle:

≤100 ms for all channels of a module

Digital filter:

1st-order filter, configurable mean-value generation according to the difference equation:

$$y(t+ts) = \alpha x(t) + (1-\alpha) y(t)$$

($\alpha = 0,004...1,0$)

A/D converter:

successive approximation

Input span monitoring:

Error message in case the upper limit is exceeded by more than
 > 20 digits (resolution 12 bit)
 > 160 digits (resolution 16 bit)

Temperature drift: ≤0,08%/10K

Indicator LEDs:

1 x red per channel (error signal)

Galvanic isolation:

Between inputs, logic circuits, and internal supply (except RM 222-x)
 Inputs are galvanically connected, except for RM 224-0, RM 224-2, RM 225.

Standard signals without TPS (I, U) (RM 221-x)

Number of channels: 4 (differential input)

(Differential inputs for RM 221-2 on request)

Measuring ranges:

selectable per channel

- RM 221-0 (I): 4 x 0/4...20 mA
- RM 221-1 (U): 4 x 0...10 / -10...10 V
- RM 221-2 (U/I): 2 x 0/4...20 mA, and 2 x 0...10 / -10...10 V

Resolution: 12 bits

- 0/4...20mA: 5,1 / 4,1 μ A/digit;
- 0...10V / -10...10V: 2,5 / 5 mV/digit;

Filter: 2nd-order analog filter

Limiting frequency: $f_g = 100$ Hz

Characteristic: linear

deviation: $\leq 0,15\%$

Input resistance:

Current: approx. 47 Ω ; Voltage: >730 k Ω (with ground reference)

Sensor monitoring:

Broken or short-circuited leads: with 4...20 mA signals
Wrong polarity: with 0/4...20 mA and 0...10 V

Interface:

Data format: INT; value ranges for Current: 0/16.000...20.000
Voltage: 0...10.000 or -10.000...10.000
Engineering unit: mA (I); V (U)
Decimals: 3

Standard signals with TPS (I, U, potentiometer) (RM 222-x)

Number of channels: 4 (single ended)

Measuring ranges:

selectable per channel

- RM 222-0 (I): 4 x 0/4...20 mA
- RM 222-1 (U): 4 x 0...10 / -10...10 V
- RM 222-2 (U/I): 2 x 0/4...20 mA and 2 x 0...10 / -10...10 V

Two-wire transmitter supply (TPS):

Channels intended for current input can provide a transmitter supply voltage at „+24V OUT“.

Voltage: $U_s = 24$ VDC $\pm 10\%$ (short-circuit proof)

Max. load: $I \leq 25$ mA per channel
Fused: 200 mA (sum current of all channels).

For more details, see „Standard signals without TPS“ (RM 221-x) !

Potentiometer measurement:

(voltage-divider circuit)
Channels intended for voltage input can be configured in pairs for potentiometer measurement.

Uconst: $U_s = 5$ VDC (output instead of +24V OUT); short-circuit proof
Current limiting: 20mA

Max. load: ≤ 20 mA (distributable among the module's 4 channels, e.g. 4 x 1000 Ω 2 x 500 Ω , 1 x 250 Ω)
Resolution: 2,5 mV/digit (0,05%)

Temperature input TC/Pt 100 (RM 224-1)

Number of channels: 4

Sensors: selectable per channel

- Pt100: in two or three-wire connection
Measuring range: Pt 100: -200...850 $^{\circ}$ C
- Thermocouples: to DIN IEC 584

Type		Measuring range*
L	Fe-CuNi	-200/-120...900 $^{\circ}$ C
J	Fe-CuNi	-210/-120...900 $^{\circ}$ C
K	NiCr-Ni	-270/-130...1300 $^{\circ}$ C
N	Nicrosil-Nisil	-196/-109...1300 $^{\circ}$ C
S	PtRh-Pt10%	-50/+12...1760 $^{\circ}$ C
R	PtRh-Pt13%	-50/+13...1760 $^{\circ}$ C
B	PtRh-Pt6%	25/50...1820 $^{\circ}$ C
T	Cu-CuNi	-200/-130...400 $^{\circ}$ C
W(C)	W5Re/W26Re	0/50...2299 $^{\circ}$ C
E	NiCr-CuNi	-270/-130...1000 $^{\circ}$ C

* related to 0/50 $^{\circ}$ C terminal temperature

Characteristic: temperature-linear

Conformity error: negligible

Temperature compensation(TC):

internal, can be switched off (not for KS98+, RM 202, RM 203-x)
Remaining error of CJC: $\leq \pm 0,4\%$ (after warming-up phase of 20 min)

Resolution: 16 bits

Pt 100: $\leq 0,02$ K/digit

TC type E, J, K, L, T, N: $\leq 0,04$ K/digit

TC type S, R, B: $\leq 0,15$ K/digit

TC type W: $\leq 0,09$ K/digit

Error:

Pt 100: $\leq \pm 1$ K

TC type E, J, K, L, T, N, W: $\leq \pm 1$ K

TC type S, R, B: $\leq \pm 2$ K

Filter:

2nd-order analog filter.

Limiting frequency: $f_g = 10$ Hz

Input resistance: >1 M Ω

Sensor monitoring:

For break and wrong polarity (RTD: break compensation line: only temperature indication of $\leq 150^{\circ}$ C)
Permissible voltage difference between inputs: ≤ 4 VACeff.

Interface:

Data format: INT

Value range: 10 x measuring span

Engineering unit: $^{\circ}$ C, $^{\circ}$ F, K selectable for RM 201)

Decimals: 1

Special feature with TC types S, R, B, and W with engineering unit $^{\circ}$ F: value range = (10 x meas. span – 2000)

Thermocouple input TC (RM 224-0)

Number of channels: 2; galvanic isolated

Sensors: selectable per channel

- Thermocouples: to DIN IEC 584
Types see RM 224-1

Characteristic: temperature-linear

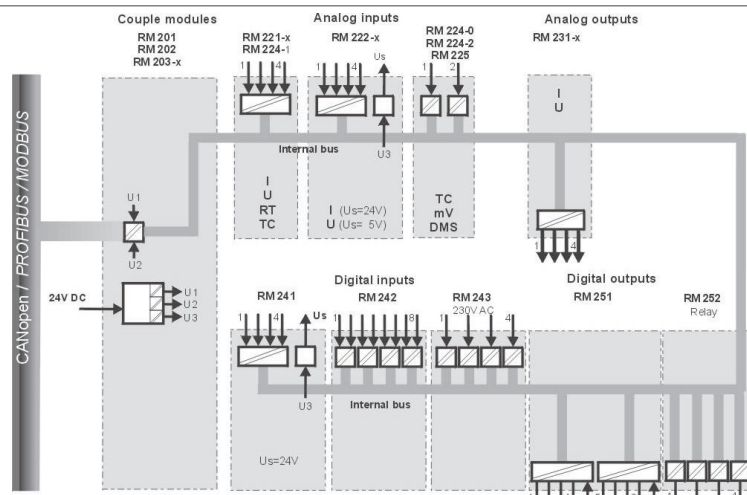
Conformity error: negligible

Temperature compensation:

internal, can be switched off (not for KS98+, RM 202, RM 203-x)
Remaining error of CJC: $\leq \pm 0,15\%$

Resolution: 16 bits

Fig. 4 : Galvanic isolation in the system



TC type E, J, K, L, T, N: $\leq 0,04$ K/digit
 TC type S, R, B: $\leq 0,15$ K/digit
 TC type W: $\leq 0,09$ K/digit

Error:

TC type E, J, K, L, T, N, W: $\leq \pm 1K$
 TC type S, R, B: $\leq \pm 2K$

Filter:

2nd-order analog filter.
 Limiting frequency: $f_g = 10$ Hz
 Input resistance: $> 1M\Omega$

Sensor monitoring:

For break and wrong polarity
 Permissible voltage difference between inputs: ≤ 380 VAC / 50Hz, 500 VDC

Interface:

Data format: INT
 Value range: 10 x measuring span
 Engineering unit: °C, (°F, K selectable for RM 201)
 Decimals: 1
 Special feature with TC types S, R, B, and W with engineering unit °F:
 value range = (10 x meas. span - 2000)

Millivolt-/thermocouple input (RM 224-2)

Number of channels: 2;
galvanic isolated

Filter:

2nd-order analog filter.
 Limiting frequency: $f_g = 10$ Hz

Channel 1: Millivolt input

Range: -3000 ... 3000 mV
 Input impedance: ca. 200 MΩ diff.
 Screened type of wires for sensors

Resolution: 16 bits

Characteristic: linear

Error:

With 100 kΩ sensor output resistance:
 linearity: $\leq 0.05\%$
 temperature: $\leq 0.05\%$
 with 1 MΩ sensor output resistance:
 linearity: $\leq 0.5\%$
 temperature: $\leq 0.4\%$

Interface:

Data format: INT
 Value range: -30,000 ... 30,000
 Decimals: 1
 Unit: mV

Channel 2: Thermocouple input

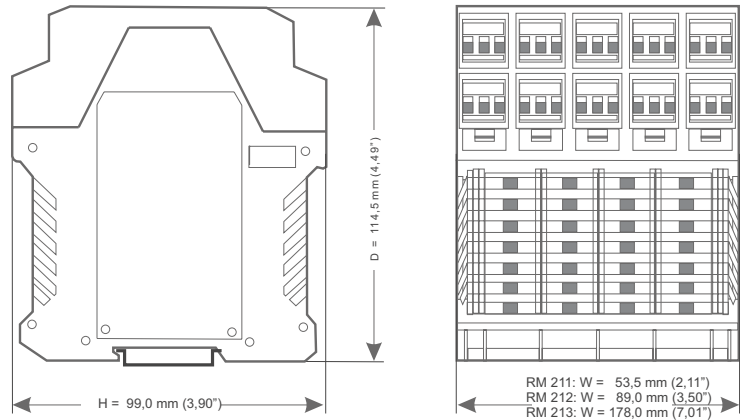
Properties:

As RM 224-0

Strain Gage input (RM 225)

Direct connection of transducers with strain gage resistance in Wheatstone

Fig.5 : RM 200 Mounting Dimensions; basic modules (shown: RM 212)



bridges,
 6-wire connection.
 bridge excitation: integrated

Number of channels: 2

Input measuring range:

-4 mV/V ... +4 mV/V
 Sensor types: 1, 2, 3 and 3.3 mV/V

Filter: analog filter: low pass

limiting frequency: $f_g = 50$ Hz

Input impedance: >10 MΩ

Resolution: 18 Bit

(optional 16 bit for RM 202, RM 203-x)

Accuracy: better than 0.05 % at 25 °C

Characteristic: linear

Linearity: ≤ 0.01 %

temperature: ≤ 0.05 % / 10K of span

Configuration:

The functions calibration (zero and span) and tare are selectable via fieldbus.

Cycle time: 5 Hz.

ANALOG OUTPUT MODULES

Standard signals I,U (RM 231-x)

Number of channels: 4

Signal ranges: selectable per channel
 RM 231-0: 4 x 0/4...20 mA or 0...10V
 RM 231-1: 4 x 0/4...20 mA or 2 x -10...+10V / 2 x 0...10V
 RM 231-2: 4 x 0/4...20 mA or 4 x -10...+10V

All outputs are short-circuit proof.

Resolution: 12 bits

0/4...20mA: 5,1 / 4,1 μA/digit;
 0...10V / -10...10V: 2,5 / 5 mV/digit;

Node guarding

Behaviour at communication failure:
 configurable

- Fail safe: output is set to 0V/0mA
- Hold: retain last value

Characteristic: linear

overall error: $\leq 0,25\%$ (0...10V); $\leq 0,6\%$ (-10...10V); $\leq 0,63\%$ (0...20mA) of measurement range.

Permissible load:

Current output: ≤ 500 Ω
 Voltage output: ≥ 1000 Ω
 Load effect: 0,1%/100Ω
 Temperature drift: $\leq 0,01\%/10K$
 Cycle time: ≤ 50 ms after change of value; < 5 s with constant value

Interface:

Data format: INT
 Value ranges for
 0...20mA = 0...20.000
 4...20mA = 0...16.000
 0...10V = 0...10.000
 -10...10V = -10.000...10.000
 Decimals: 3

Galvanic isolation:

Outputs from logic circuits and internal supply.
 Outputs are galvanically connected.

Indicator LEDs:

4 x 2 yellow
(indication of selected signal range U or I)

DIGITAL INPUT MODULES

RM 24X

24 VDC logic (RM 241, RM 242)

RM 241: Number of channels: 4

Input:: Logic signals, contacts or 3-wire sensors (NPN or PNP transistors); selectable via DIP-switches

RM 242: Number of channels: 8 inputs

Signal level: according to IEC 61131

„Low“: -3...5 VDC
„High“: 15...30 VDC

Sensor energization (only RM 241):

Us = 24 VDC ±10%; short-circuit proof
Max. load: I ≤ 25mA / channel
Fused: 200 mA (sum current of all channels)

Measurement cycle:

≤10 ms for all channels

Operating sense: configurable (only RM 201)

Input resistance: 6,8kΩ

Filter: analog, fg = 1 kHz
Surge voltage protection: fitted

Galvanic isolation:

RM 241: Inputs from logic circuits.
RM 242: In groups of 2 from logic circuits and internal supply.

Indicator LEDs:

4 x or 8 x yellow (signal status)

230 VAC logic (RM 243)

Number of channels: 4

Signal level:

„Low“: 0...50 VAC
„High“: 90...250 VAC

Measurement cycle:

≤10 ms for all channels

Operating sense: configurable (only RM 201)

Input resistance: 240 kΩ
Filter: ≤50 ms input delay
Surge voltage protection: fitted

Galvanic isolation

Inputs from logic, between inputs

Indicator LEDs:

4 x yellow (signal status)

DIGITAL OUTPUT MODULES

RM 25X

Node guarding

Behaviour at communication failure configurable:

- Fail safe: outputs 0/1 (selectable)
- Hold: retain last value

24 VDC logic (RM 251)

Number of channels: 8 (2 groups of 4 channels); suitable for switching loads with 12 and 24 VDC.

Control voltage:

Uc = 2 x 24 VDC; separated according to groups.

Permissible range: 8...34 VDC

Forward resistance: ≤400 mΩ

(≤200 mΩ typical); voltage drop ≤1,2V

Leakage current:
approx. 30 μA (non-conducting)

Load current:

Depends on ambient temperature:

At 25°C: ≤1,5A / channel; ≤3A / group

At 50°C: ≤1,0A / channel; ≤2A / group

Lead break and short circuit

detected and made available as a status signal on the bus. Outputs are switched off in pairs (1/2; 3/4;...) or set to default (selectable). Effect to outputs can be switched off.

Protective circuits:

Fitted as standard against short circuit, surge voltage, and wrong polarity; thermal current limiting.

Free-wheel diode for inductive loads:

must be provided externally

Cycle time: ≤10 ms for all channels

Operating sense: configurable (only RM 201)

Galvanic isolation

Logic from output group, groups among each other

Indicator LEDs:

8 x yellow (signal status)
2 x green (external control voltage)

Relays (RM 252)

Number of channels: 4 relays
Contacts: potential-free change-over

Contact rating:

AC: ≤ 1250 W, 250 V, 5A

DC: ≤ 120 W, 120 V, 5A

RC suppressor circuit:

must be provided externally

Cycle time: ≤10 ms for all channels

Operating sense: configurable (only RM 201)

Galvanic isolation:

Relays from logic circuits and internal supply

Indicator LEDs:

4 x yellow (signal status)

POWER SUPPLY

The basic module is energized via its bus coupler module.

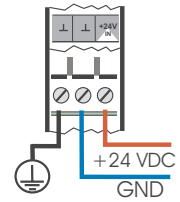
Supply voltage: 24 VDC ±10%

Current consumption:

≤1,5A (basic module RM 213 with all I/O modules fitted)

Influence power supply: negligible

- The GND of the 24V power supply has to be connected to protective earth (PE).



ENVIRONMENTAL CONDITIONS

Permissible temperature:

Operation: 0...50 °C (32...122 °F)

Storage and transport: -20...70 °C (-4...158 °F)

Climatic category:

KUF according to DIN 40 040

Relative humidity: ≤75% yearly average, no condensation

Electromagnetic compatibility:

To DIN EN 50 081, Part 1, and

DIN EN 50 082, Part 2

Shock and vibration:

To DIN 40046 IEC 60068-2-6

GENERAL

Electrical connection:

COMBICON plug-in screw terminals for leads of ≤2,5mm²

Mode of protection:

IP20 (basic module with all I/O modules)

Housing:

Material: polyamide PA 6.6

Flammability class: V0 to UL 94

Mounting:

Basic module: on 35 mm „top hat“ rails to DIN EN 50 022

I/O modules: into sockets in the basic module, and arrested. Insertion and

removal of I/O modules only with power switched off!

Mounting position: vertical

Overall dimensions (W x H x D):

RM 211: 53,5 x 99,0 x 114,5 mm

RM 212: 89,0 x 99,0 x 114,5 mm

RM 213: 178,0 x 99,0 x 114,5 mm

or

RM 211: 2,09 x 3,90 x 4,49 inch

RM 212: 3,50 x 3,90 x 4,49 inch

RM 213: 7,01 x 3,90 x 4,49 inch

Weight:

RM 211: 87 g (3,07 oz.)

RM 212: 127 g (4,48 oz.)

RM 213: 232 g (8,18 oz.)

Other modules: approx. 100 g (3,53 oz.)

ACCESSORIES

Engineering Set ES/RM 200 (description & diskette with EDS and GSD files)

Ordering Data for RM 200 modules

Bus coupler modules				
RM 201	bus coupler module CANopen (excl. RM 225)	9 4 0 7	7 3 8	2 0 1 0 1
RM 201-1	bus coupler module CANopen (excl. RM 224-x)	9 4 0 7	7 3 8	2 0 1 1 1
RM 202	bus coupler module PROFIBUS-DP	9 4 0 7	7 3 8	2 0 2 0 1
RM 203-0	bus coupler module MODBUS RTU, RS 485	9 4 0 7	7 3 8	2 0 3 0 1
RM 203-1	bus coupler module MODBUS RTU, RS 232	9 4 0 7	7 3 8	2 0 3 1 1
RM 204	bus coupler module Ethernet MODBUS/TCP	9 4 0 7	7 3 8	2 0 4 0 1

Basicmodules				
RM 211	Basic module 3 sockets	9 4 0 7	7 3 8	2 1 1 0 1
RM 212	Basic module 5 sockets	9 4 0 7	7 3 8	2 1 2 0 1
RM 213	Basic module 10 sockets	9 4 0 7	7 3 8	2 1 3 0 1
RM 214	Dummy panel	9 4 0 7	7 3 8	2 1 4 0 1

Analog Inputs				
RM 221-0	Analog inputs 4 x I	9 4 0 7	7 3 8	2 2 1 0 1
RM 221-1	Analog inputs 4 x U	9 4 0 7	7 3 8	2 2 1 1 1
RM 221-2	Analog inputs 2 x I, 2 x U	9 4 0 7	7 3 8	2 2 1 2 1
RM 222-0	Analog inputs 4 x I, supply	9 4 0 7	7 3 8	2 2 2 0 1
RM 222-1	Analog inputs 4 x U/potentiom., supply	9 4 0 7	7 3 8	2 2 2 1 1
RM 222-2	Analog inputs 2 x I, 2 x U/potentiom., supply	9 4 0 7	7 3 8	2 2 2 2 1
RM 224-0	Analog inputs 2 x TC, galvanic isolated	9 4 0 7	7 3 8	2 2 4 0 1
RM 224-1	Analog inputs 4 x TC, Pt100, all types	9 4 0 7	7 3 8	2 2 4 1 1
RM 224-2	Analog inputs 1 x mV, 1 x TC, galvanic isolated	9 4 0 7	7 3 8	2 2 4 2 1
RM 225	Analog inputs 2 x strain gage, galvanic isolated	9 4 0 7	7 3 8	2 2 5 0 1

Analog Outputs				
RM 231-0	Analog outputs 4 x I/U (+10V)	9 4 0 7	7 3 8	2 3 1 0 1
RM 231-1	Analog outputs 4 x I / 2 x U(+10V), 2 x U(±10V)	9 4 0 7	7 3 8	2 3 1 1 1
RM 231-2	Analog outputs 4 x I/U (±10V)	9 4 0 7	7 3 8	2 3 1 2 1

Digital Inputs				
RM 241	Digital inputs 4 x 24V DC	9 4 0 7	7 3 8	2 4 1 0 1
RM 242	Digital inputs 8 x 24V DC	9 4 0 7	7 3 8	2 4 2 0 1
RM 243	Digital inputs 4 x 230V AC	9 4 0 7	7 3 8	2 4 3 0 1

Digital Outputs				
RM 251	Digital outputs 8 x 24V DC/0,5A	9 4 0 7	7 3 8	2 5 1 0 1
RM 252	Digital outputs 4 x Relays, 230V AC, 5A	9 4 0 7	7 3 8	2 5 2 0 1

Accessories

Engineering Sets (not necessary in conjunction with KS98+)				
ES/RM 200 D		9 4 0 7	9 9 9	1 0 3 1 1
ES/RM 200 E		9 4 0 7	9 9 9	1 0 3 0 1

Documentation				
Datasheet D		9 4 9 8	7 3 7	3 7 8 3 3
Datasheet E		9 4 9 8	7 3 7	3 7 8 1 3



Germany

PMA Prozeß- und Maschinen- Automation GmbH
Miramstraße 87, D-34123 Kassel

Tel.: +49 -561- 505 - 1307

Fax: +49 -561- 505 - 1661

E-mail: export@pma-online.de

Internet: <http://www.pma-online.de>

Your local representative: